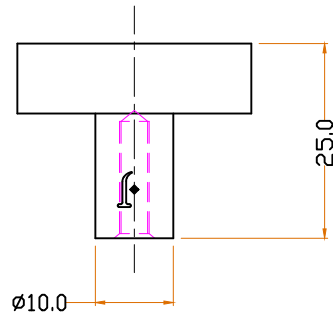
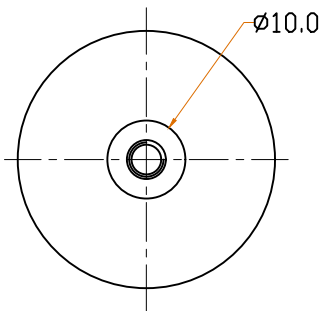



TOP VIEW



FRONT VIEW



BOTTOM VIEW

MATERIAL	FINISH	SCALE	DESCRIPTION
BRASS	GA ,AB OS ,BK	NTS	ROUND KNOB 30mm
PROJN.	UNIT	DATE	ITEM CODE
	MM	26.05.22	J-1603