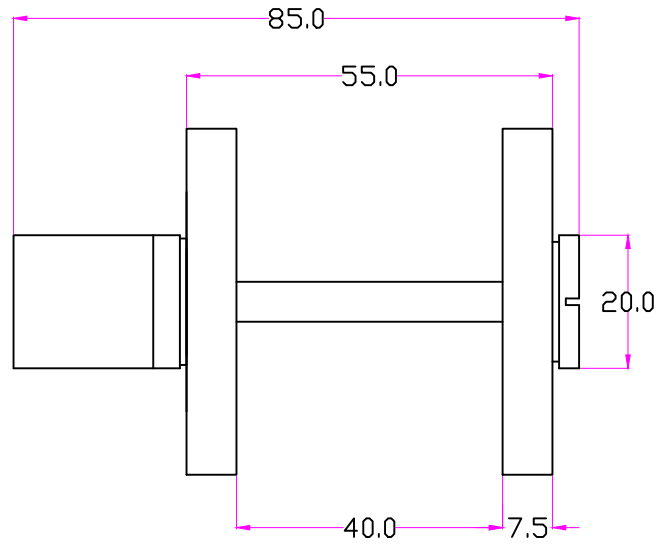


FRONT VIEW



SIDE VIEW

MATERIAL	FINISH	SCALE	DESCRIPTION
BRASS	GA ,AB OS ,BK	NTS	Privacy Turn Set Square
PROJN.	UNIT	DATE	ITEM CODE
	MM	26.06.23	J-7012