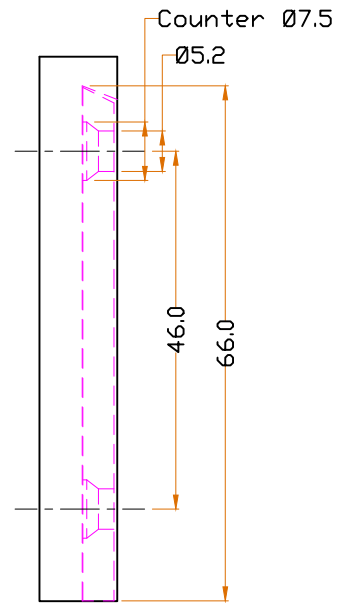
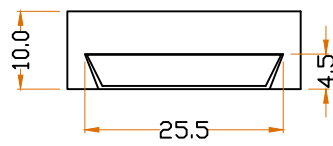


FRONT VIEW



SIDE VIEW



BOTTOM VIEW

MATERIAL	FINISH	SCALE	DESCRIPTION
BRASS	GA ,AB OS ,BK	NTS	Security Rose
PROJN.	UNIT	DATE	ITEM CODE
	MM	26.05.22	J-7030