

HENRY BLAKE

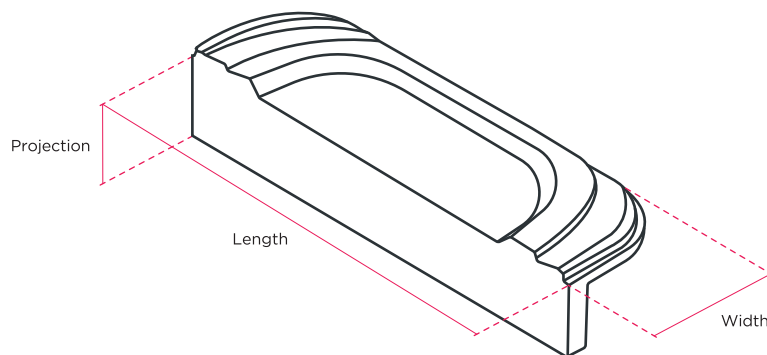
×

PETER STAUNTON

Product Code: PS0004 | **Product Name:** Plateau Door Pull Handle



Finish - Shown in Antique Brass | Available in all Henry Blake Hardware finishes



Please note, this product is manufactured using sand-cast technology and dimensions are approximate.

Length	Projection	Centres	Width
200mm	40mm	163mm	60mm