

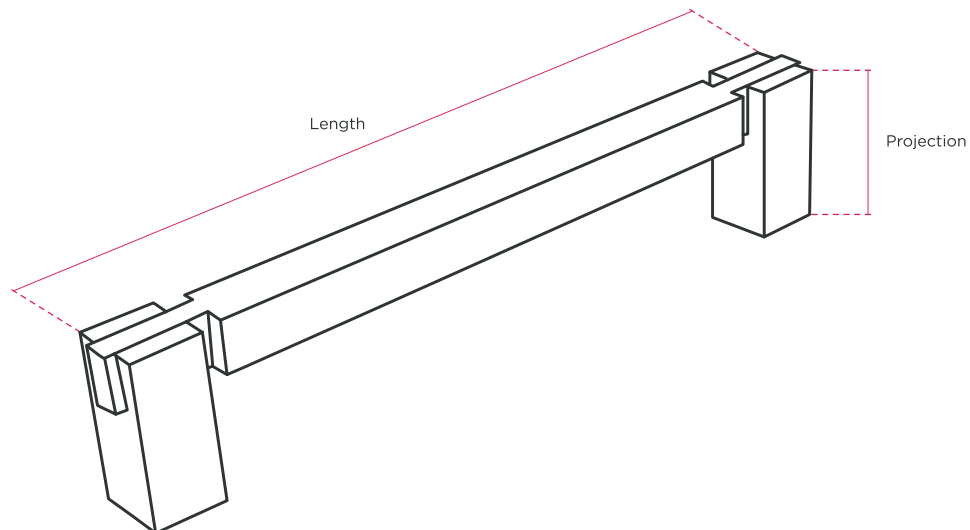
HENRY BLAKE

HARDWARE

Product Code: SK0127 | **Product Name:** Modern Pull Handle



Finish - Shown in Polished Chrome | Available in all Henry Blake Hardware finishes



Fixings: Supplied 2x M10 x 60mm bolts

Length	Projection	Centres
280mm	57mm	250mm
530mm	57mm	500mm
1030mm	57mm	1000mm

Custom sizes available upon request
Available back to back upon request