

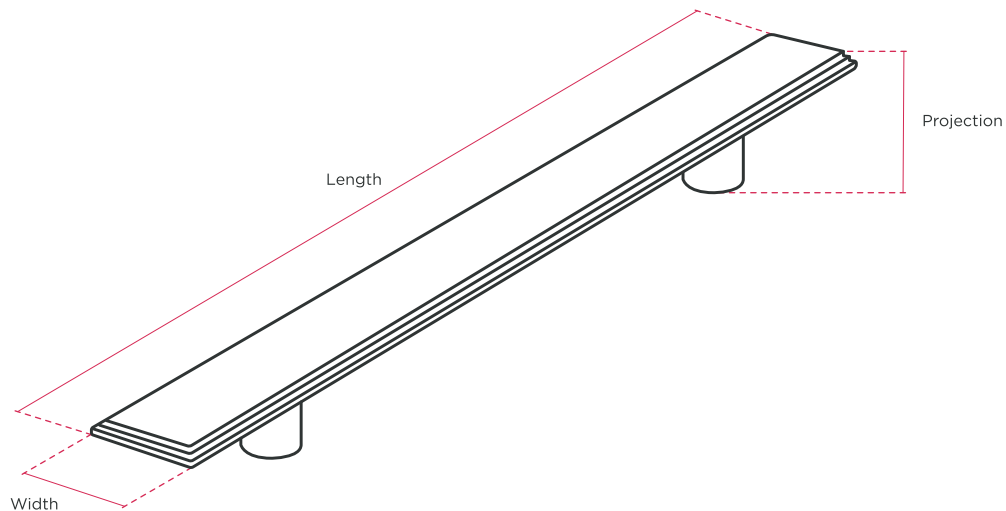
HENRY BLAKE

HARDWARE

Product Code: SK0135 | **Product Name:** Large Art Deco Pull Handle



Finish - Shown in Polished Chrome | Available in all Henry Blake Hardware finishes



Length	Width	Projection	Centres
600mm	60mm	56mm	400mm
1000mm	60mm	56mm	600mm
1200mm	60mm	56mm	700mm

Custom sizes available upon request
Available back to back upon request