

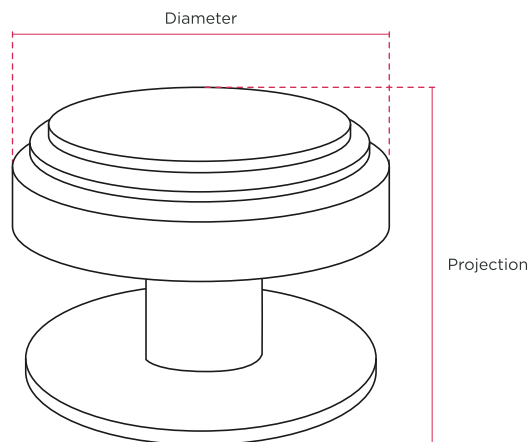
HENRY BLAKE

HARDWARE

Product Code: SK0141 **Product Name:** Stepped Pull Handle



Finish - Shown in Polished Chrome | Available in all Henry Blake Hardware finishes



| Diameter | Projection | Rose |
|----------|------------|-------|
| 60mm | 57mm | 60mm |
| 100mm | 75mm | 100mm |

Fixings: Supplied 1x M6 x 60mm machine bolts

Custom sizes available upon request
Available back to back upon request