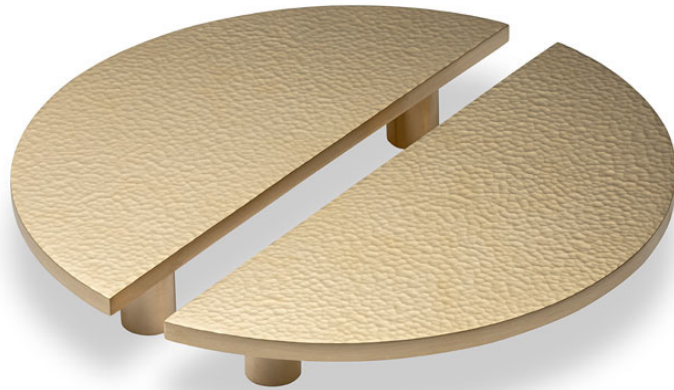


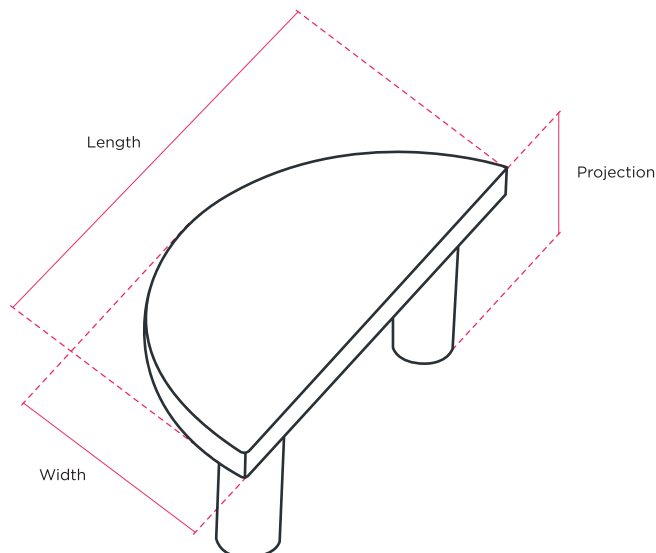
# HENRY BLAKE

HARDWARE

**Product Code:** SK0146 | **Product Name:** Hammered Half Moon Shaped Pull Handle



**Finish - Shown in Satin Brass** | Available in all Henry Blake Hardware finishes



Length	Projection	Width	Post Diameter	Centres
200mm	45mm	91mm	25mm	130mm
300mm	45mm	137mm	25mm	200mm

**Fixings:**  
**Supplied with 2 x M10 x 60mm Bolts**  
**Sold individually**

Custom sizes available upon request  
Back to back sets available upon request.