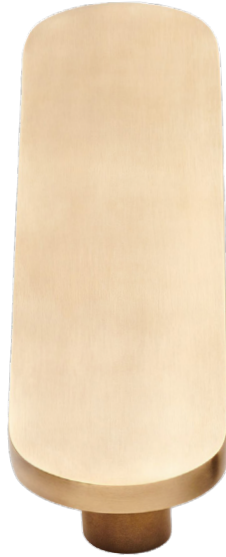


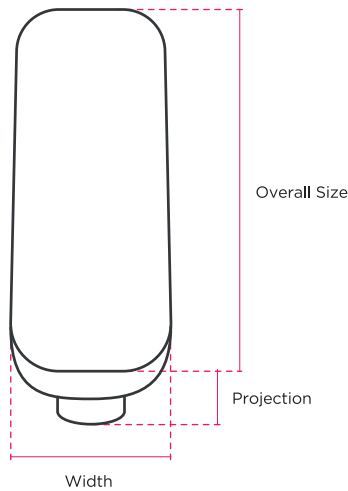
HENRY BLAKE

HARDWARE

Product Code: SK0150 | **Product Name:** Retro Pull Handle



Finish - Shown in Antique Brass | Available in all Henry Blake Hardware finishes



Overall Size*	Width	Fixing Centres	Projection
200mm	60mm	128mm	45mm
300mm	60mm	200mm	45mm

Fixings: Supplied with 2 x M10 bolts.
Back-to-back fixings available on request.

Custom sizes available upon request