

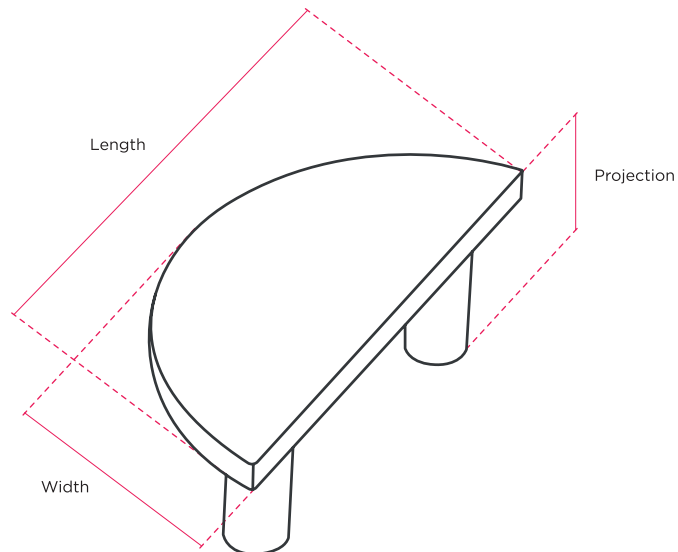
HENRY BLAKE

HARDWARE

Product Code: SK0160 | **Product Name:** Dune Half-Moon Door Pull Handle



Finish - Shown in Antique Brass | Available in all Henry Blake Hardware finishes



Length	Projection	Centres	Width	Backset
200mm	45mm	130mm	92mm	20mm
300mm	45mm	200mm	137mm	20mm

**Fixings: 2 x M4 x 30mm machine bolts.
Sold individually**

Custom sizes available upon request