

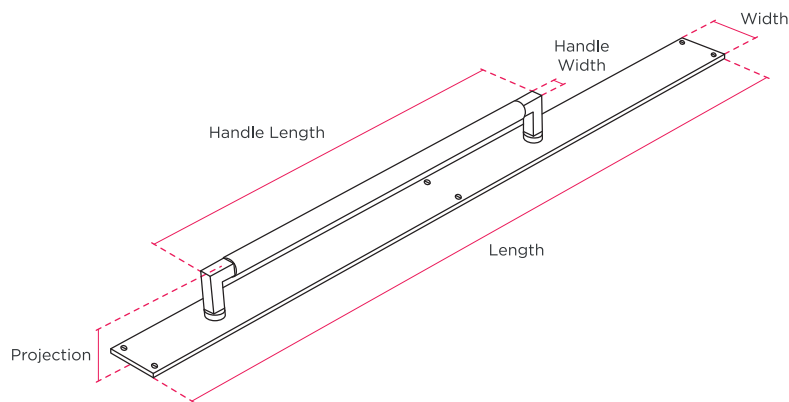
# HENRY BLAKE

HARDWARE

**Product Code:** SK0170 - SK0126 **Product Name:** Warehouse Pull Handle on Backplate



**Finish - Shown in Graphite Lacquered** | Available in all Henry Blake Hardware finishes



#### Backplate

Length	Width
900mm	70mm

#### Handle

Length	Width	Projection
520mm	22mm	64mm

**Fixings: 6 x Semi domed slotted screws no.6 (backplate)  
2 x M10 bolts (handle)**