

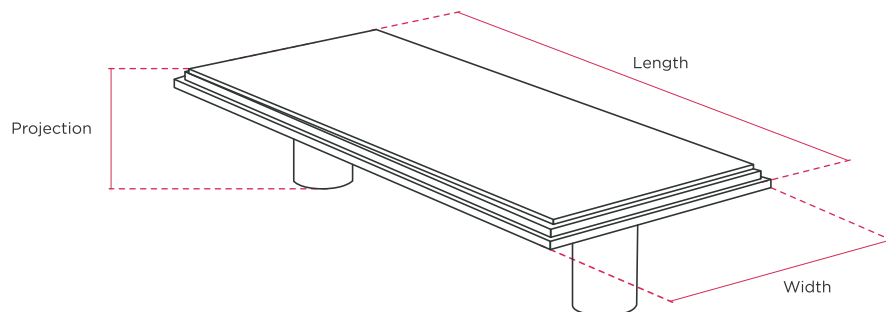
HENRY BLAKE

HARDWARE

Product Code: SK0195 | **Product Name:** Art Deco Pull Handle



Finish - Shown in Antique Brass | Available in all Henry Blake Hardware finishes



Length	Width	Projection
300mm	130mm	50mm

Fixings: Supplied 2x M6 x 60mm machine bolts

Custom sizes available upon request
Available back to back upon request