

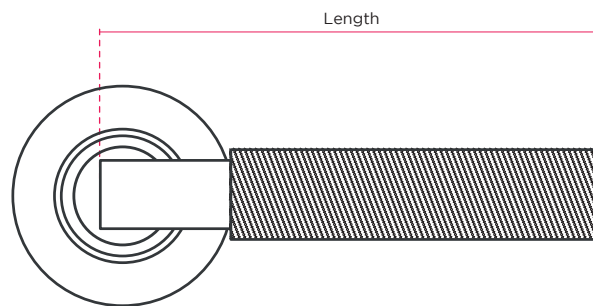
HENRY BLAKE

HARDWARE

Product Code: SK1060 | **Product Name:** Pair Warehouse Lever Handles



Finish - Shown in Polished Brass | Available in all Henry Blake Hardware finishes



Fixings: Levers are unsprung & recommended to be fitted with a heavy duty latch..

Rose	Lever Length	Lever Projection:
50mm	123mm	72mm