

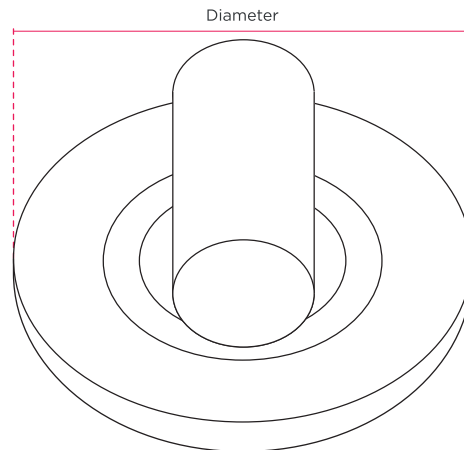
HENRY BLAKE

HARDWARE

Product Code: SK2503 **Product Name:** Bathroom Turn & Release



Finish - Shown in Polished Chrome | Available in all Henry Blake Hardware finishes



Diameter	Thickness	Spindle Diameter
50mm x 50mm	6mm	5mm