

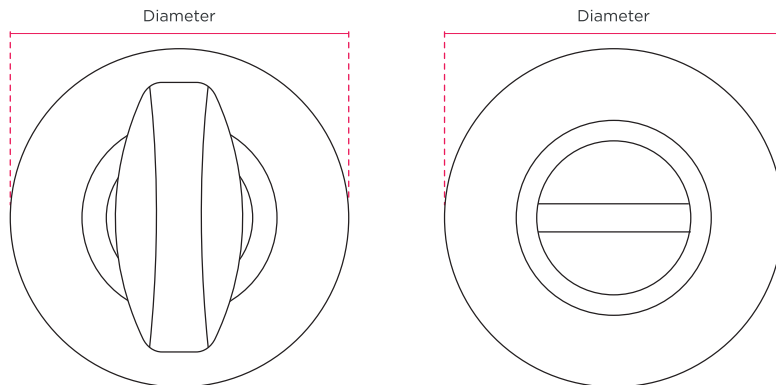
HENRY BLAKE

HARDWARE

Product Code: SK2504 **Product Name:** Bathroom Turn & Release



Finish - Shown in Antique Brass | Available in all Henry Blake Hardware finishes



Diameter
35mm