

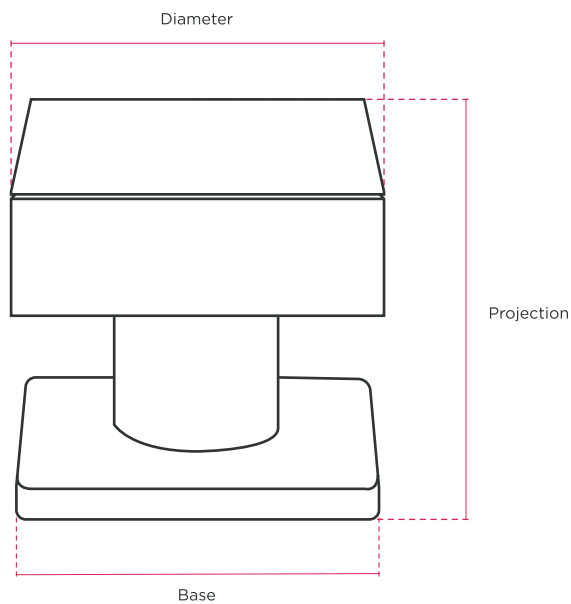
HENRY BLAKE

HARDWARE

Product Code: SK3000 | **Product Name:** Square Cabinet Knob



Finish - Shown in Polished Chrome | Available in all Henry Blake Hardware finishes



Diameter	Base	Projection
20mm	20mm	20mm
30mm	30mm	30mm
40mm	40mm	35mm

Fixings: Supplied 1x M4 x 30mm machine bolts