

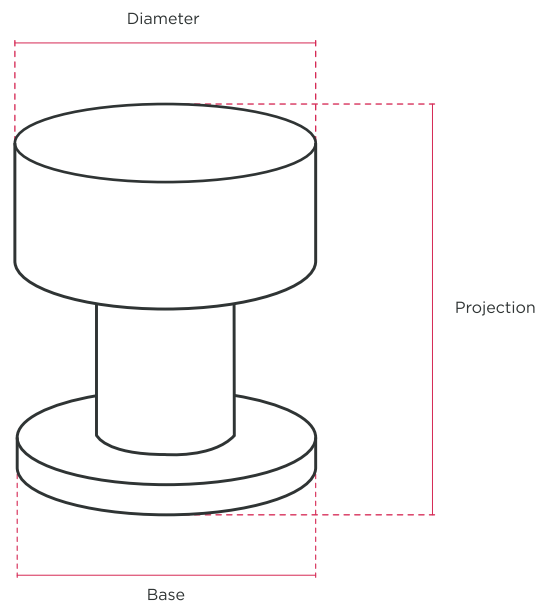
HENRY BLAKE

HARDWARE

Product Code: SK3010 | **Product Name:** Round Cabinet Knob



Finish - Shown in Polished Chrome | Available in all Henry Blake Hardware finishes



Diameter	Base	Projection
25mm	25mm	30mm
32mm	32mm	30mm

Fixings: Supplied 1x M4 x 30mm machine bolts

Custom sizes available upon request