

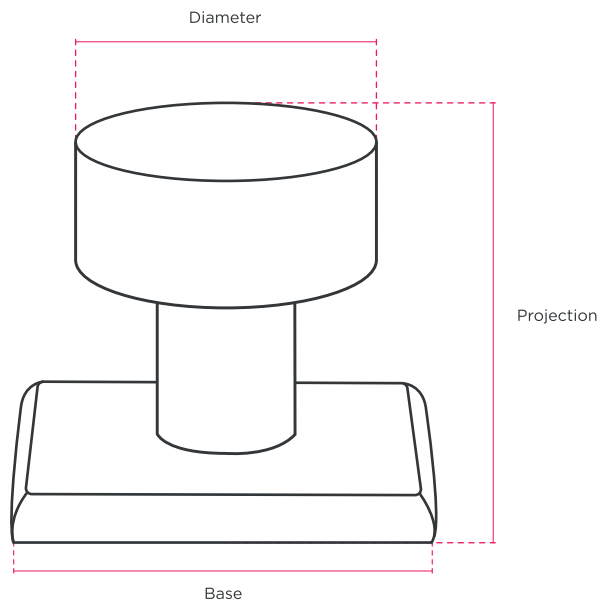
HENRY BLAKE

HARDWARE

Product Code: SK3011 | **Product Name:** Round Cabinet Knob on Square Backplate



Finish - Shown in Antique Brass Waxed | Available in all Henry Blake Hardware finishes



Fixings: Supplied 1x M4 x 30mm machine bolts

Knob Diameter	Projection	Backplate Length	Backplate Width
32mm	30mm	35mm	35mm

Custom sizes available upon request