

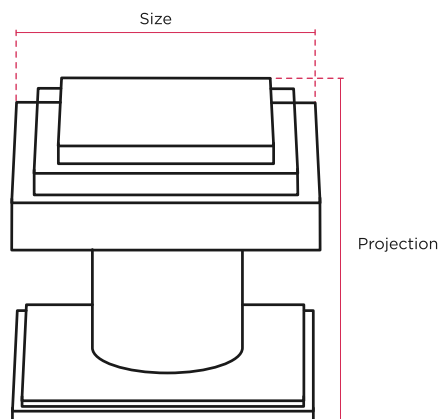
# HENRY BLAKE

HARDWARE

**Product Code:** SK3021 | **Product Name:** Art Deco Square Knob on Stepped Back plate



**Finish - Shown in Polished Chrome** | Available in all Henry Blake Hardware finishes



**Fixings 1 x m4 x 30mm bolt**

Size	Projection
40mmx40mm	37mm