

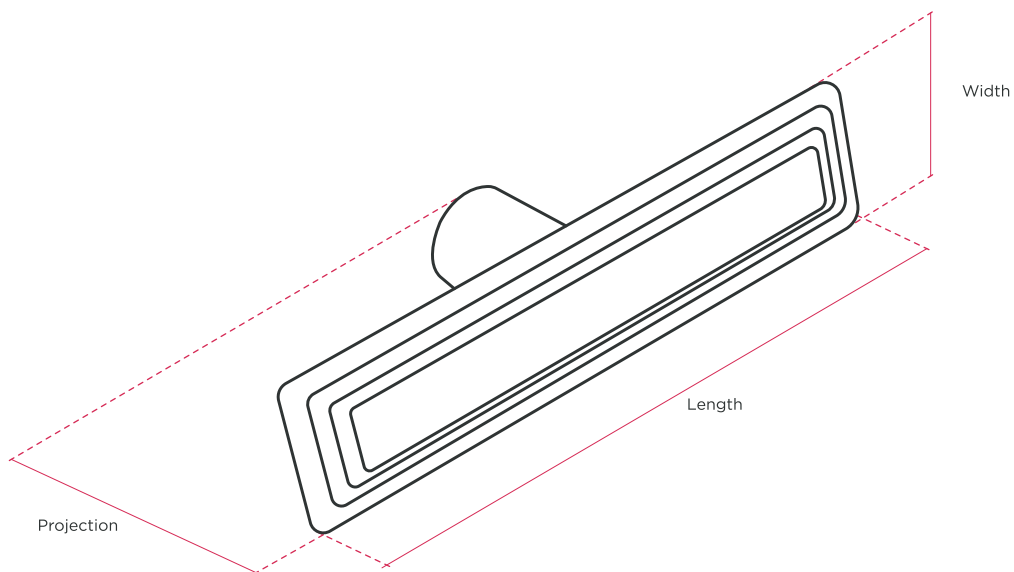
# HENRY BLAKE

HARDWARE

**Product Code:** SK3040 | **Product Name:** Art Deco T Bar Handle



**Finish - Shown in Polished Chrome** | Available in all Henry Blake Hardware finishes



**Fixings: Supplied 1x M4 x 30mm machine bolts**

| Length | Projection | Width |
|--------|------------|-------|
| 80mm   | 26mm       | 20mm  |