

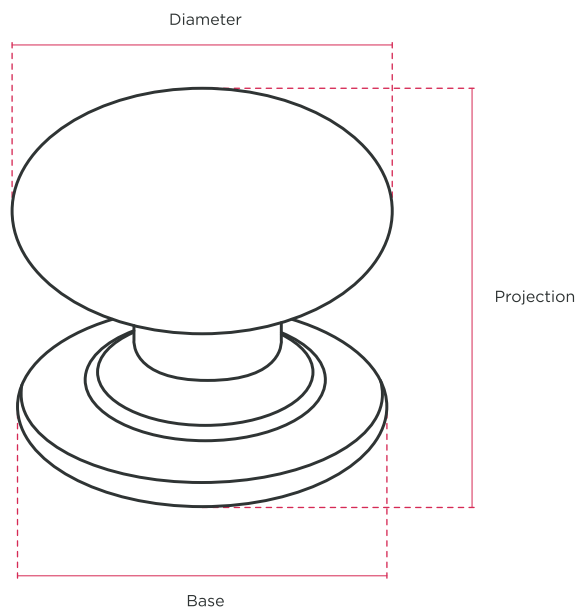
HENRY BLAKE

HARDWARE

Product Code: SK3054 | **Product Name:** Classic Bun Knob on Rose



Finish - Shown in Antique Brass | Available in all Henry Blake Hardware finishes



Diameter	Base	Projection
30mm	30mm	30mm
35mm	35mm	30mm

Fixings: Supplied 1 x M4 x 30mm machine bolts