

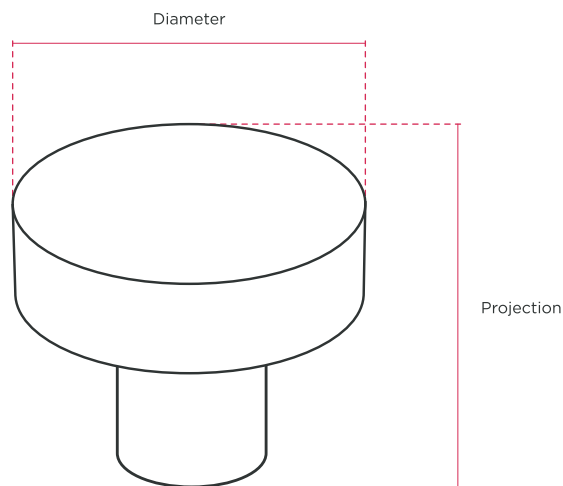
# HENRY BLAKE

HARDWARE

**Product Code:** SK3076 | **Product Name:** Round Hammered Concave Cabinet Knob



**Finish - Shown in Antique Brass** | Available in all Henry Blake Hardware finishes



| Diameter | Projection |
|----------|------------|
| 35mm     | 30mm       |
| 45mm     | 40mm       |

**Fixings: Supplied 1x M4 x 30mm machine bolts**