

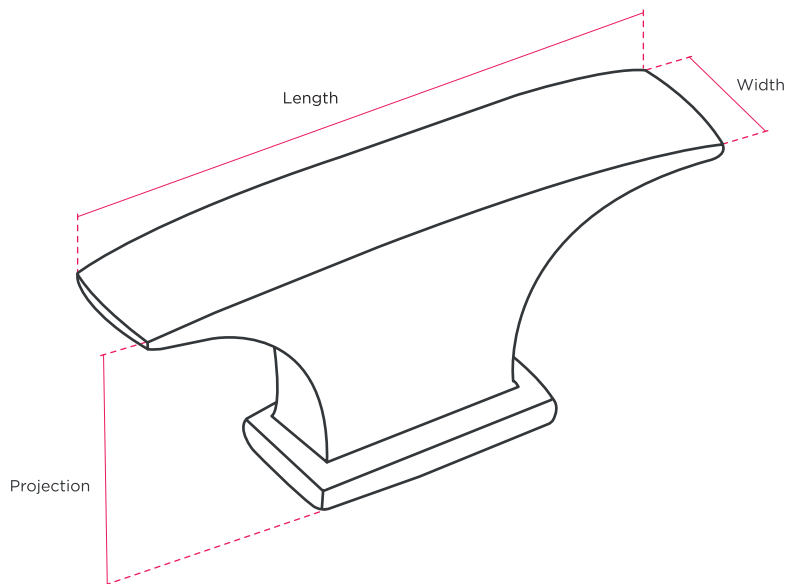
HENRY BLAKE

HARDWARE

Product Code: SK3089 | **Product Name:** Lautner Cabinet Knob



Finish - Shown in Antique Brass | Available in all Henry Blake Hardware finishes



**Fixings: Supplied with 1 x M4 Bolt.
Available in both Brass & Bronze
base material.**

Length	Projection	Width	Base Width	Base Length
70mm	35mm	15mm	15mm	30mm