

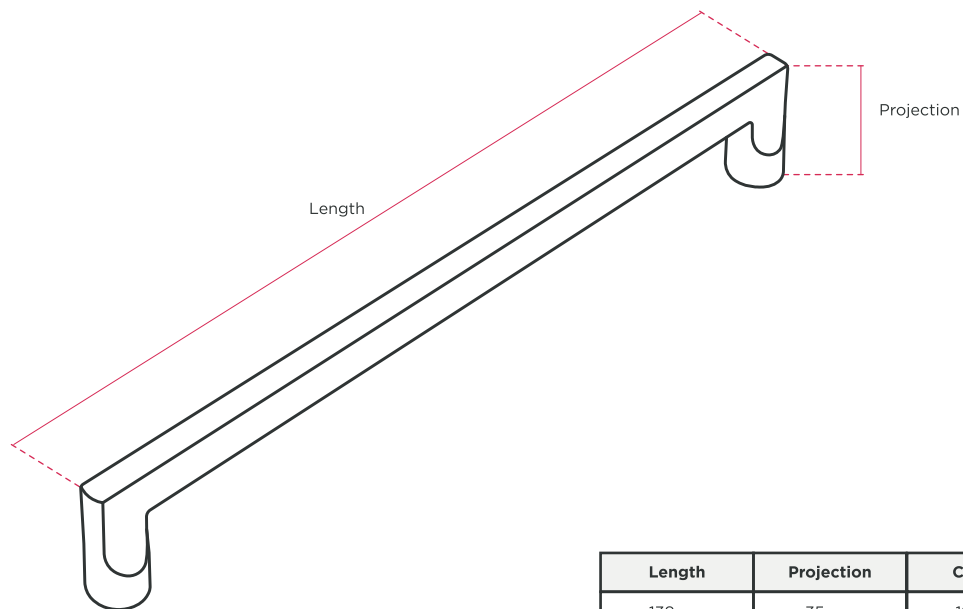
HENRY BLAKE

HARDWARE

Product Code: SK3150 | **Product Name:** Angled Bar Handle



Finish - Shown in Antique Brass | Available in all Henry Blake Hardware finishes



Length	Projection	Centres
138mm	35mm	128mm
170mm	35mm	160mm
234mm	35mm	224mm

Fixings: Supplied 2x M4 x 30mm machine bolts

Custom sizes available upon request