

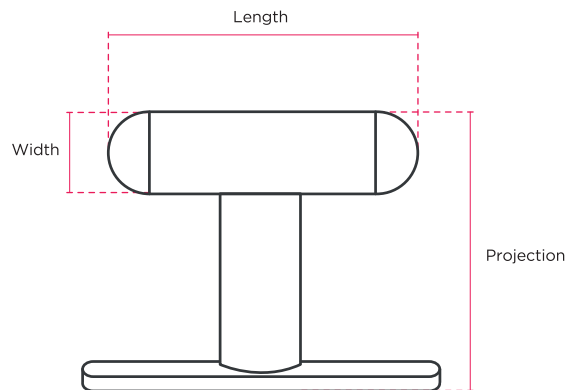
HENRY BLAKE

HARDWARE

Product Code: SK3163 | **Product Name:** Retro T-Bar Cabinet Knob with Backplate



Finish - Shown in Antique Brass | Available in all Henry Blake Hardware finishes



Length	Width	Projection	Backplate Width	Backplate Length
45mm	12mm	37mm	20mm	55mm

Fixings: 1 x m4 x 30mm bolt

Custom sizes available upon request