

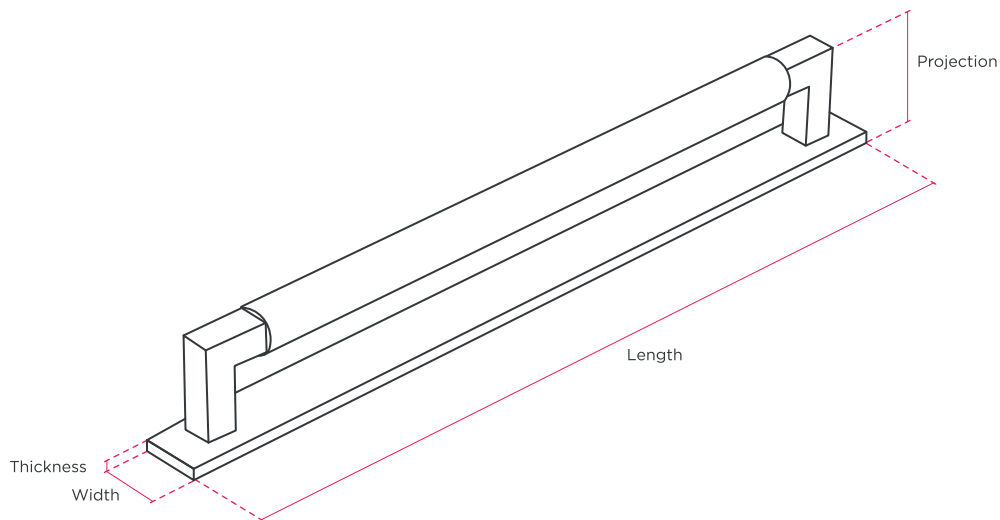
HENRY BLAKE

HARDWARE

Product Code: SK3201 **Product Name:** Bauhaus Bar Cabinet Handle on a Backplate



Finish - Shown in Graphite Lacquered | Available in all Henry Blake Hardware finishes



Length	Projection	Backplate Length	Backplate Width	Backplate Thickness
168mm	34mm	189mm	20mm	4mm
232mm	34mm	253mm	20mm	4mm
296mm	34mm	317mm	20mm	4mm

Fixings: Supplied with 2 x M4 bolts