

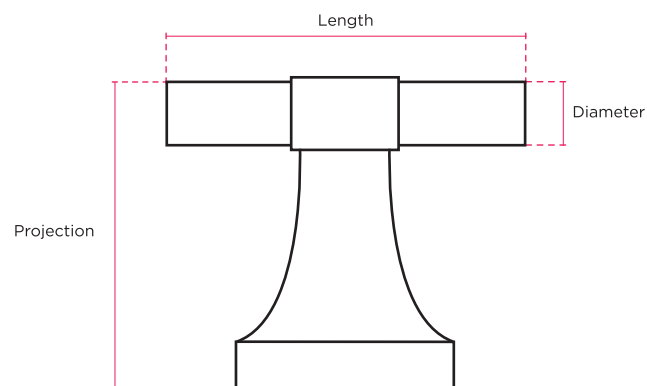
HENRY BLAKE

HARDWARE

Product Code: SK3385 | **Product Name:** Round T Bar Cabinet Knob with knurled detail



Finish - Graphite Lacquered | Available in all Henry Blake Hardware finishes



Length	Diameter	Projection
52mm	10mm	34mm

Fixings: Supplied 1 x M4 X 30mm