

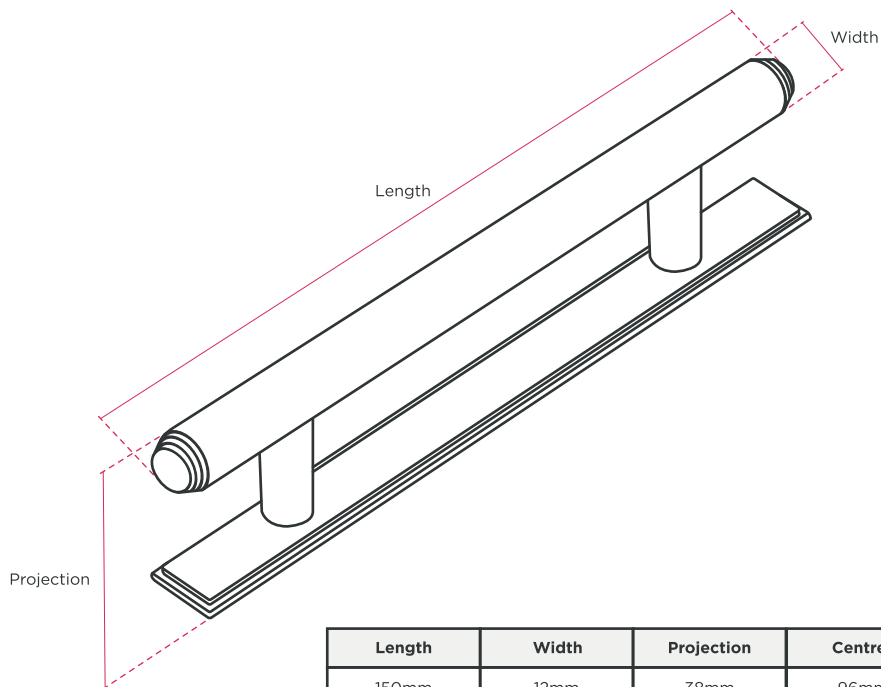
HENRY BLAKE

HARDWARE

Product Code: SK3501 | **Product Name:** Deco End Cabinet Pull on Backplate



Finish - Shown in Polished Chrome | Available in all Henry Blake Hardware finishes



Fixings: Supplied 2x M4 x 30mm machine bolts

Length	Width	Projection	Centres	Backplate
150mm	12mm	38mm	96mm	150mm x 15mm
300mm	12mm	38mm	224mm	300mm x 10mm

Custom sizes available upon request