

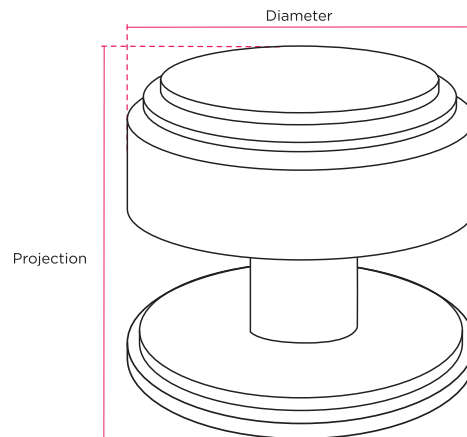
HENRY BLAKE

HARDWARE

Product Code: SK5141 | **Product Name:** Round Deco Mortice Knob



Finish - Shown in Polished Nickel | Available in all Henry Blake Hardware finishes



Sold as Pairs. Supplied Unsprung and will require a heavy duty latch.

Diameter	Rose	Projection
60mm	60mm	60mm