

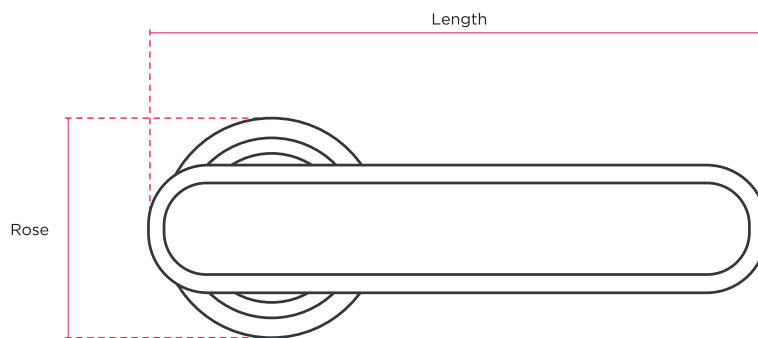
# HENRY BLAKE

HARDWARE

**Product Code:** SK1090 | **Product Name:** Lino Lever Handle



**Finish - Shown in Polished Brass Unlacquered** | Available in all Henry Blake Hardware finishes



**Fixings: Levers are unsprung & recommended to be fitted with a heavy duty latch.**

Rose	Lever Length	Lever Projection	Grip Width
50mm	143mm	53mm	30mm