

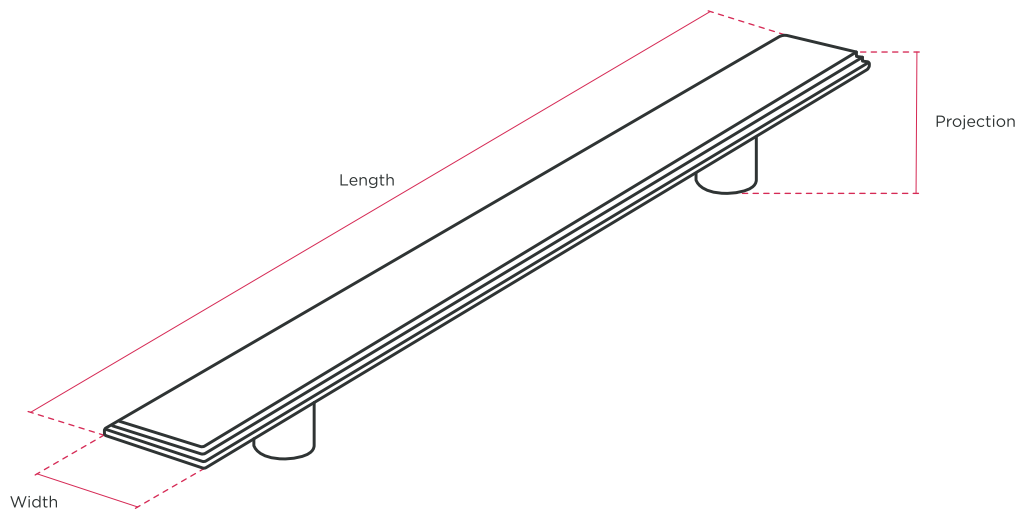
# HENRY BLAKE

HARDWARE

**Product Code:** SK3030 | **Product Name:** Art Deco Cabinet Pull



**Finish - Shown in Polished Chrome** | Available in all Henry Blake Hardware finishes



Length	Width	Projection	Centres
130mm	25mm	27mm	96mm
170mm	25mm	27mm	128mm

**Fixings: Supplied 2x M4 x 30mm machine bolts**

Custom sizes available upon request