

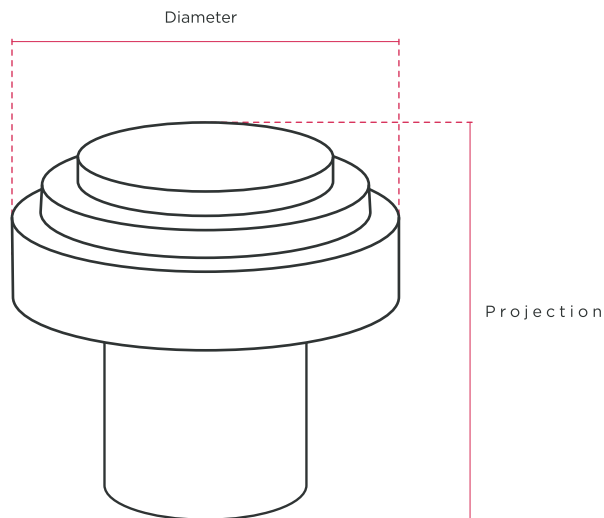
HENRY BLAKE

HARDWARE

Product Code: SK3050 | **Product Name:** Art Deco Cabinet Knob



Finish - Shown in Polished Chrome | Available in all Henry Blake Hardware finishes



Diameter	Projection
20mm	27mm
30mm	30mm
40mm	38mm

Fixings: Supplied 1x M4 x 30mm machine bolts