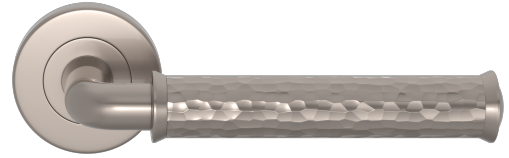


BONNEVILLE PIPE SOLID HAMMERED

DESIGN DETAILS

TYPE: DOOR LEVER
RANGE: PIPE SOLID HAMMERED
DESIGN: BONNEVILLE
ROSE: 58 ROUND
GRIP: SATIN NICKEL
METAL: SATIN NICKEL
CODE: QH2700-SN

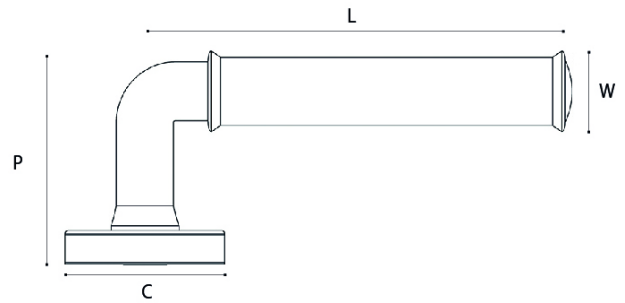


GRIP FINISH



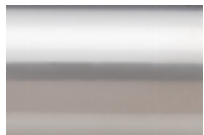
SN
 SATIN NICKEL
 recommended for internal application only

LINE DRAWING



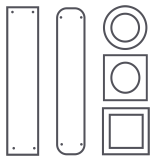
148mm 65mm 25mm 58mm
 Length (l) Projection (p) Max Grip Width (w) Rose (c)

METAL FINISH



SN
 SATIN NICKEL
 recommended for internal application only

ROSE & BACKPLATE OPTIONS



Other rose and back plate options available.
 Contact sales@turnstyledesign.com

SPECIFICATION NOTES



Lever handles are configured for a maximum door thickness of 45mm as standard. Please advise if alternative fixings are required.



Full range of co-ordinating accessories available, including escutcheons, turn & release sets, locks, cylinders and hinges.



This product is part of a full suite of products covering door, window and furniture hardware.