

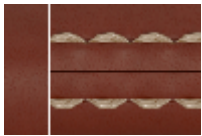
BONNEVILLE STITCH IN PIPE RECESS LEATHER

DESIGN DETAILS

TYPE: DOOR LEVER
RANGE: PIPE RECESS LEATHER
DESIGN: BONNEVILLE STITCH IN
ROSE: 58 ROUND
GRIP: CHESTNUT
METAL: SATIN NICKEL
CODE: QL2242-CN-SN



GRIP FINISH



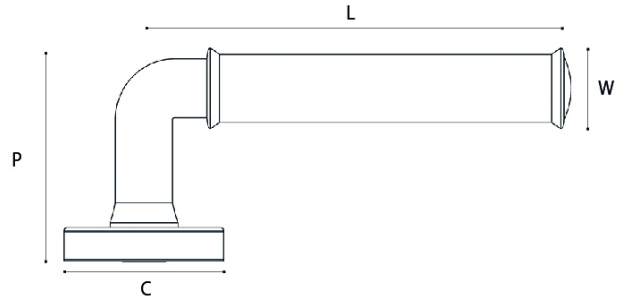
CN
CHESTNUT

METAL FINISH



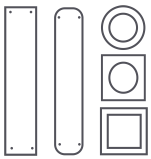
SN
SATIN NICKEL
recommended for internal application only

LINE DRAWING



148mm 65mm 25mm 58mm
 Length (l) Projection (p) Max Grip Width (w) Rose (c)

ROSE & BACKPLATE OPTIONS



Other rose and back plate options available.
 Contact sales@turnstyledesign.com

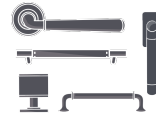
SPECIFICATION NOTES



Lever handles are configured for a maximum door thickness of 45mm as standard. Please advise if alternative fixings are required.



Full range of co-ordinating accessories available, including escutcheons, turn & release sets, locks, cylinders and hinges.



This product is part of a full suite of products covering door, window and furniture hardware.